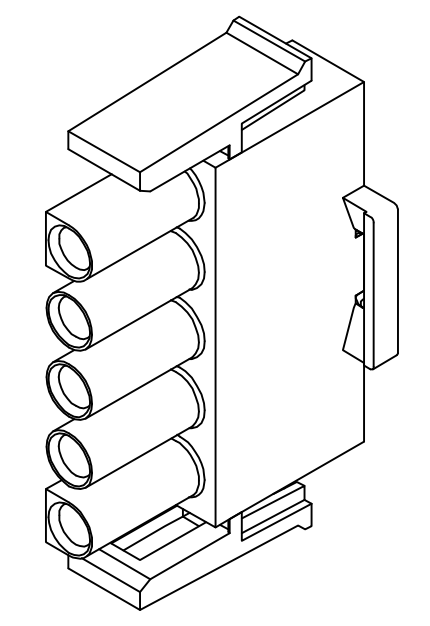


DETAIL A
 OPTIONAL CONSTRUCTIONS



3-DIMENSIONAL MODEL NTS

- MATES WITH APPROPRIATE UNIVERSA MATE-N-LOK™ CAP OR HEADER.
- SMALL NICKS ARE PERMITTED ON THE CIRCUIT TOWERS WHICH COULD INCREASE THE INITIAL HOUSING MATING FORCE BY UP TO 4.4 NEWTONS [1.0 LBS]. NO INDIVIDUAL NICKED TOWER SHALL INCREASE THIS FORCE BY OVER 2.2 NEWTONS [.5 LBS].
- OPTIONAL: AMP LOGO MAY BE LOCATED ON THIS SURFACE.
- DIMENSION INDICATED IS AS MOLDED. ADDITIONAL GROWTH DUE TO SUBSEQUENT MOISTURE ABSORPTION MAY OCCUR.
- FOUR RIBS EQUALLY SPACED, NO SPECIFIC ORIENTATION. NO RIBS OR SIX RIBS EQUALLY SPACED, NO SPECIFIC ORIENTATION, OPTIONAL.
- UNDERWRITERS RECOGNIZED COMPONENT LOGO AND CSA CERTIFICATION LOGO TO BE LOCATED ONCE EACH ON SIDE OF HOUSING.

33.02	1.300
27.43	1.080
14.73	.580
11.68	.460
7.62	.300
0.38	.015
0.13	.005
MM	IN

CONVERSION TABLE

BLACK	480763-9
GRAY	480763-8
BLUE	480763-6
GREEN	480763-5
YELLOW	480763-4
ORANGE	480763-3
RED	480763-2
BROWN	480763-1
NATURAL	1-480763-0
COLOR	PART NO.

THIS DRAWING IS A CONTROLLED DOCUMENT.		DWN R. VESTAL	24FEB95	tyco Electronics	Tyco Electronics Corporation Harrisburg, PA 17105-3608	
DIMENSIONS: mm		CHK R. SWING	24FEB95		NAME	PLUG, 5 CIRCUIT, UNIVERSAL MATE-N-LOK™
TOLERANCES UNLESS OTHERWISE SPECIFIED:		APVD D. SELF	24FEB95	PRODUCT SPEC	-	
0 PLC ± -		APPLICATION SPEC		-		
1 PLC ± -		SIZE		A1		
2 PLC ± 0.13		CAGE CODE		00779		
3 PLC ± -		DRAWING NO		480763		
4 PLC ± -		RESTRICTED TO		-		
ANGLES ± 0.30°		WEIGHT		-		
MATERIAL NYLON, UL 94V-2		FINISH		-		
METRIC		CUSTOMER DRAWING		SCALE 4:1 SHEET 1 OF 1 REV AC		